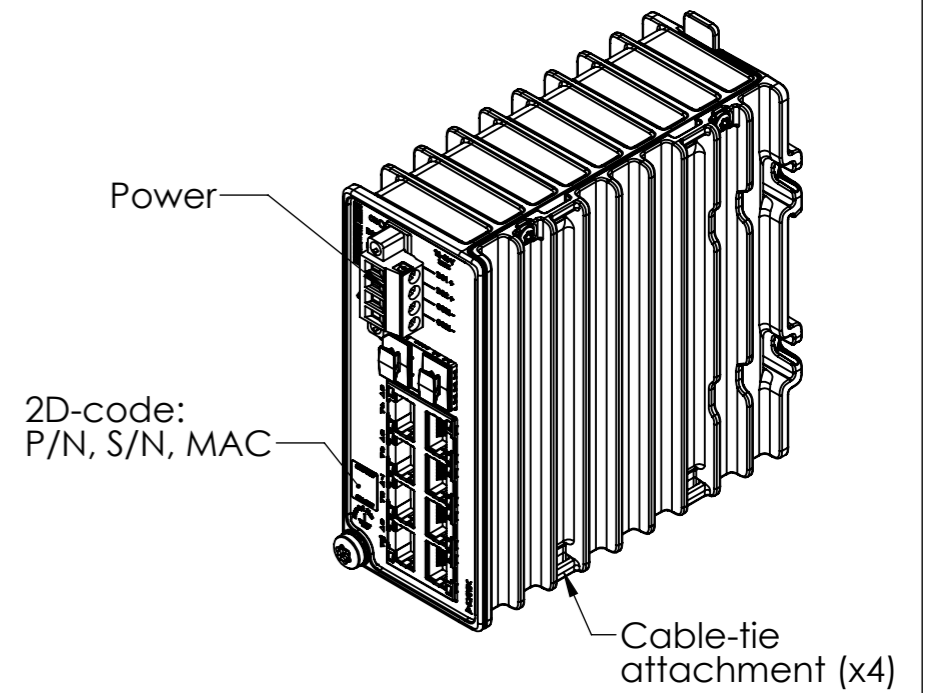
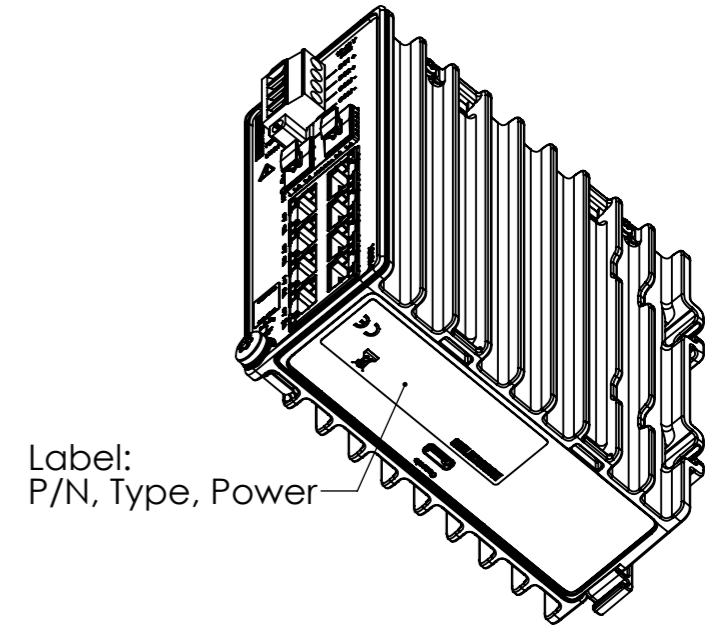
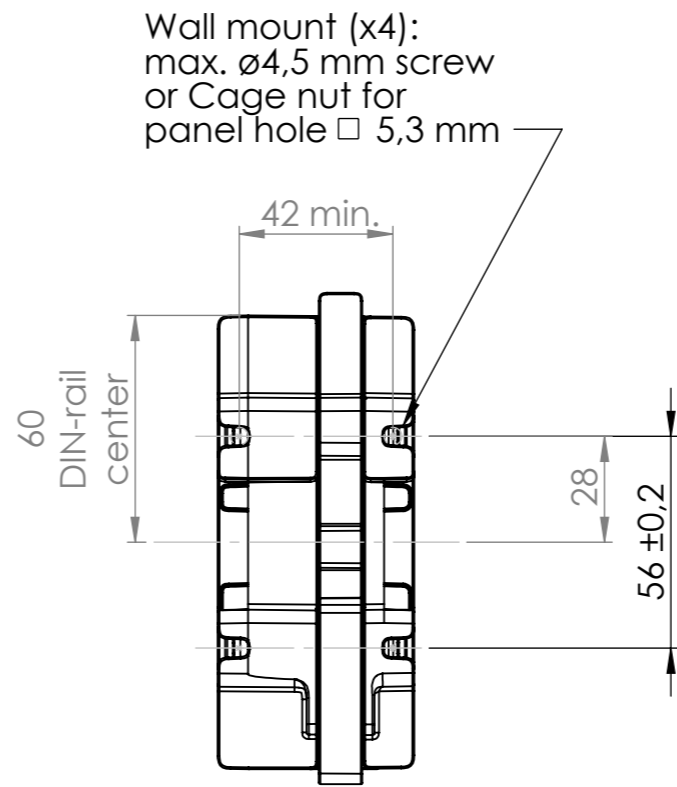
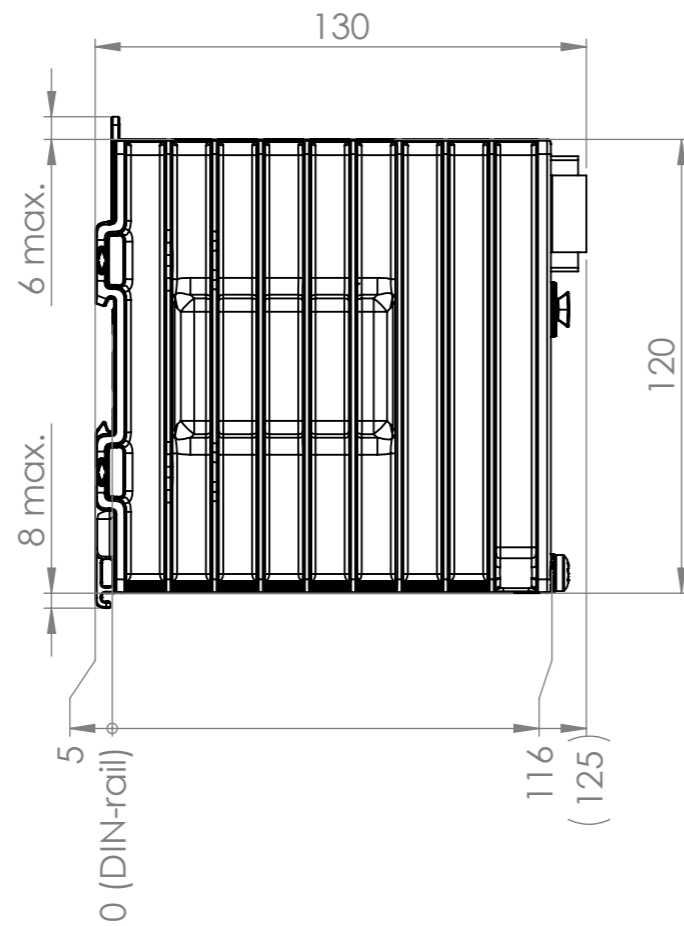
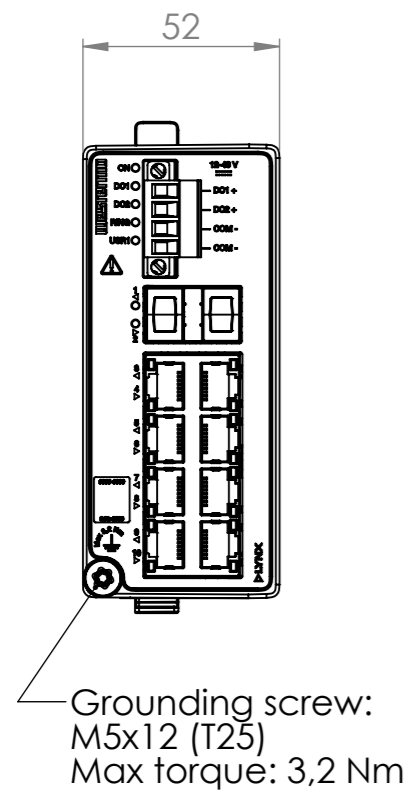
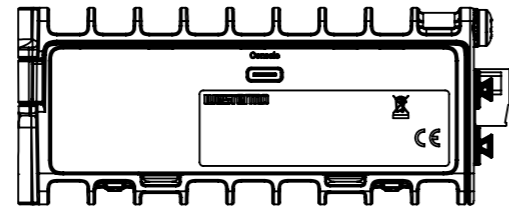


REVISIONS				
Rev	Description	Designer	Approved	Date
01	Created	KTN	KLI	2023-01-12



	Units	Material/Notes	Notes	Tolerance		Scale		Sheet	
	mm			±1 mm		1:2		1(1)	
Denomination				Designer	Approved	Date			
Lynx-3310-F2G-T8-LV				KTN	KLI	2023-01-12			
Drawing No.				Status					
3627-0560-UD-01				Approved					